

Please read these instructions carefully before installing and using the product!



1. PRODUCT INTRODUCTION

1.1 Multi-function USB Charging Cart (12 /24 /36 /48 Bay) is designed to charge and store tablets, iPad, cell phones etc. It is predominantly used in schools, airports, railway stations, hotels, bars, residential establishments and so on where a great number of electrical devices need to be charged and stored simultaneously.

1.2 PC03A series are equipped with Mean Well® PFC function power supplies.

1.3 The product adopts internal Ultra low Ron MOSFET current limit IC + DCP controller and current limit IC, which can automatically detect Apple, Samsung, or other compatible devices, and take different measures of charging mode respectively, while precisely limit the charging current.

The output interface of the product is international USB2.0, it Support:

Apple® Devices fast charging (Apple® 2.1A / 2.4A mode)

Samsung Galaxy Tab Devices Fast Charging

BC1.2 & YD/T 1591-2009 Charging Spec

1.4 Cooling fan and vents on the housing together, significantly reduce the device temperature during charging.

1.4 LEDs indicate working status.

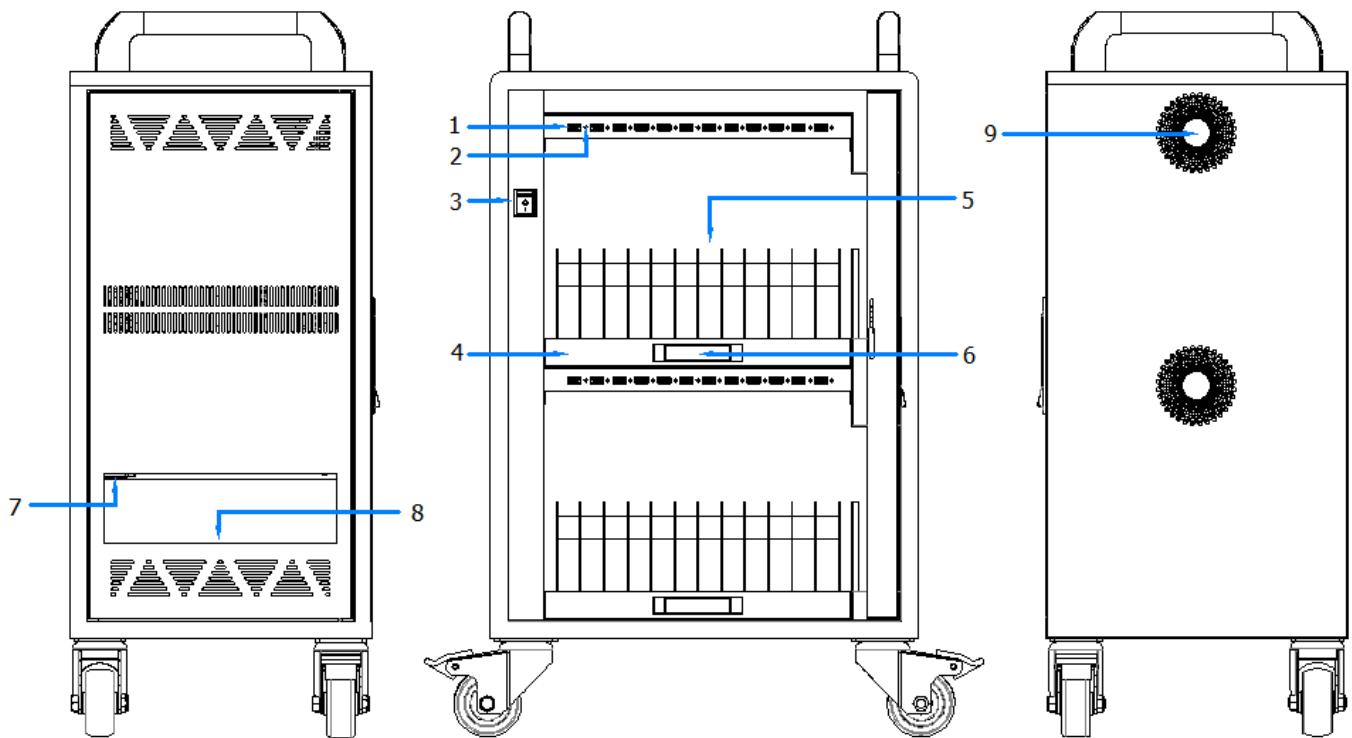
1.5 The bottom of the product is mounted with high strength lockable wheel, easy to move the charging device to any place (Except PC03A-12U).

1.6 Plastic edge protection is used to protect devices from scratching.

2. SPECIFICATION

Model	PC03A-12U	PC03A-24U	PC03A-36U	PC03A-48U
Fuse	T6.3AL/250VAC	T10AL/250VAC		
Input Current	2A	4A	6A`	8A
Input	100-240V AC 50/60Hz			
Standard	UL/CUL62368-1, EN62368-1, AS/NZS62368-1			
LED indicator	Green: standby or charging is complete		Red: in charging	
Protection	Over voltage, over current, short circuit, over temperature			
Output	5V DC 2.4A * 12ports	5V DC 2.4A * 24ports	5V DC 2.4A * 36ports	5V DC 2.4A * 48ports
Bay Dimensions(mm)	21.5 (W) 220(H) 295(D) mm			
Product Dimension(mm)	478W408H337D	478W805H337D	478W1017H337D	478W1300H337D
Net Weight(kg)	15.5	27	36.5	47
Working Environment	Working temperature: 0°C - 40°C; Storage: -20°C - 50°C Working humidity: 10% - 95%			

3. DIAGRAM



- | | | |
|-------------------|-------------|--------------------------------|
| 1. USB PORT | 5. Slot | 8. Storage area for power cord |
| 2. LED indicator | 6. Handle | 9. Fan |
| 3. Power switch | 7. AC Inlet | |
| 4. Sliding drawer | | |

4. INSTALLATION

Please keep the product perpendicular to the ground;

The equipment is to be secured to the building structure before operation. Please Consult with a structural engineer or suitable professional for installation. Unit must be secured to floor and/or anchored to the wall in compliance with local building code.

Two people required for lifting during assembly.

Do not block the ventilation openings so proper air flow

5. HOW TO USE

5.1 Lock the casters.

5.2 Plug in power cord, turn on switch.

5.3 Put iPads/tablets/cell phones into the slots.

5.4 Connect iPads/tablets/cell phones to the product with USB cable, start charging.

6. SAFETY WARNING

6.1 Wall socket must have a protective ground wire.

6.2 Please don't frequently switch on/off the product, the interval should be 5 minutes or more.

6.3 Please don't disassemble, modify the product, please don't use it in high temperature and humid environment or in water;

6.4 Maintenance and repairs should always be performed by qualified professional technicians.

6.5 Unplug this product when unused.

6.6 Make sure there is no liquid, flammable, explosive or debris around.

7. ORDINARY MALFUNCTION AND REMOVAL

Charging cart can't charge devices:

7.1 LEDs don't light up

- a. Check if power cord is connected properly.
- b. Check if the switch is on.
- c. Use another power cord.

7.2 LEDs light up :

- a. Check if USB cable is connected properly.
- b. Use another USB-C cable.

If above method cannot correct the fault, please contact the dealer.